

## 20 Amp GFCI Panel Mount

### Tower's 20 Amp Panel Mount GFCI

Model 30401500 for equipment where mounting applications requiring panel or bulkhead mount.

This model is suitable for control panels, temporary power (spider) boxes, pumping systems, spas, pool pumps & boat hoist. It is ideal for outdoor use around wet areas.

A bright LED light indicates when the power is "ON". The weatherproof TEST and RESET buttons allow for periodic testing.



**Part #  
30401500**

### FEATURES

#### MODEL 30401500

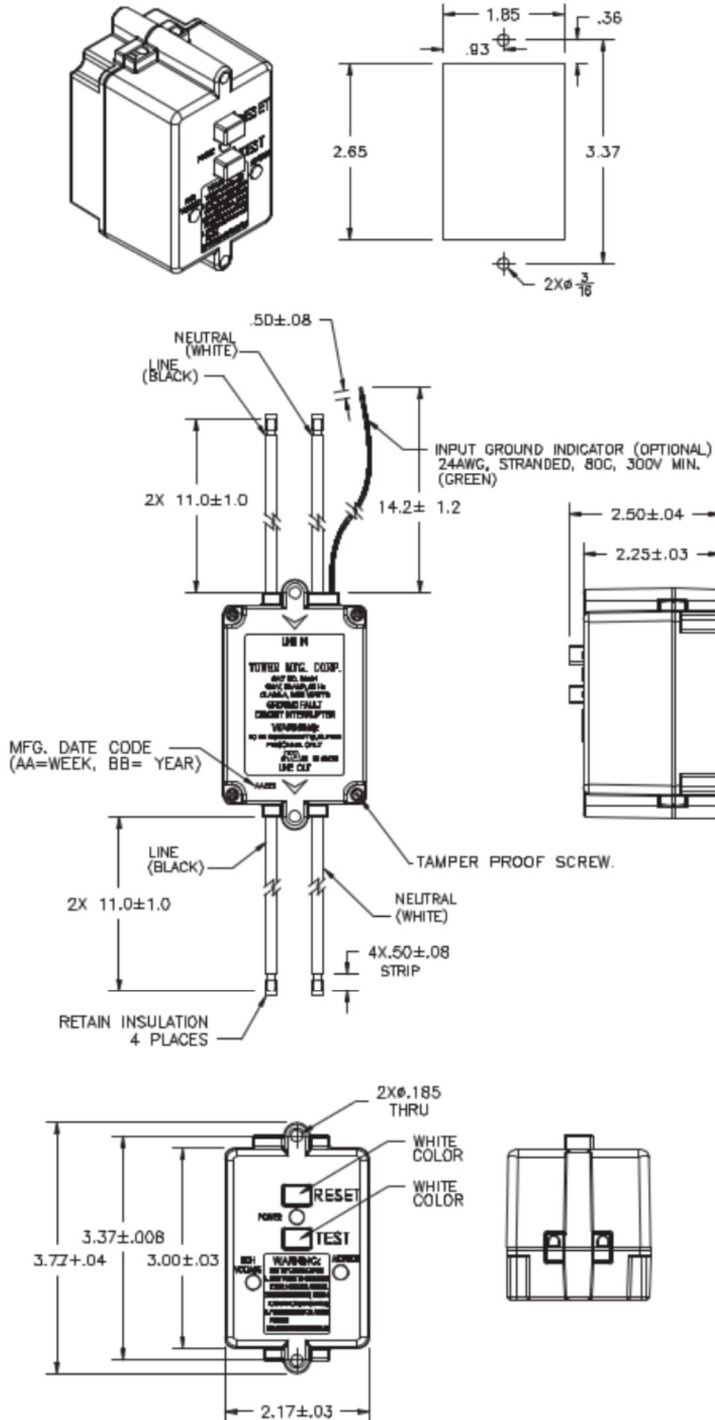
- Class A Single Phase 120 Volt 20 Amp GFCI
- 12 AWG Input & Output Power Leads
- Power On Indication LED
- Trip level 4 - 6 mA
- Automatic reset
- UL Recognized Component for USA and Canada

### SPECIFICATIONS

- Class "A" people protection GFCI
- Rated for 120 volt, 20 Amp use
- 2400 watts, 60 Hz
- LED Power "ON" indicator
- Open neutral and grounded neutral protection
- Operating temperature range -35 degree C to 66 degree C
- Impact resistant case

# 20 Amp GFCI Panel Mount

## RECOMMENDED PANEL OPENING



Unless otherwise specified, all dimensions are in inches.  
 A menos que se especificue lo contrario, todas las medidas son en pulgadas.  
 Sauf indicaton contraire, toutes les dimensions sont en pouces.

## SPECIFICATIONS:

1. Class A GFCI, 4-6 mA trip level.
2. Operating temperature range: -35°C to +66° C.
3. Power "on" indication: LED.
4. Ground monitor: LED.
5. Approvals: UL Recognized Component file E168173 Series No. 304015XX
6. Over voltage trip level: 170 VAC **Maximum**.
7. Rating: 120 VAC 60Hz 20A.
8. Insulation voltage: 1500 VRMS – 1 min.
9. Connections:  
 Input: Lead wire, black (L), white (N), 12AWG stranded 105C, 300V min.  
 Output: Lead wire, black (L), white (N), 12AWG stranded 105C, 300V min.
10. Enclosure color: Black
11. Phillips head screw bolt (#8-32 x  $2\frac{3}{8}$ " long) with matching lock nuts – 2 sets (included).

## CAUTION:

1. This device is rated at 120VAC / 20AMP 60Hz **Maximum**.
2. This GFCI is a safety device, do not use as an on/off switch.
3. All Ground Fault Circuit Interrupters (GFCI) do not protect against electrical shock resulting from contact with both current carrying conductors of an electrical circuit.
4. For panel or bulkhead mount only.
5. Test frequently and before each use to ensure proper operation. Follow operating instructions 1 through 5.
6. DO NOT USE where water may enter GFCI case.
7. DO NOT MODIFY OR IMMERSE this device